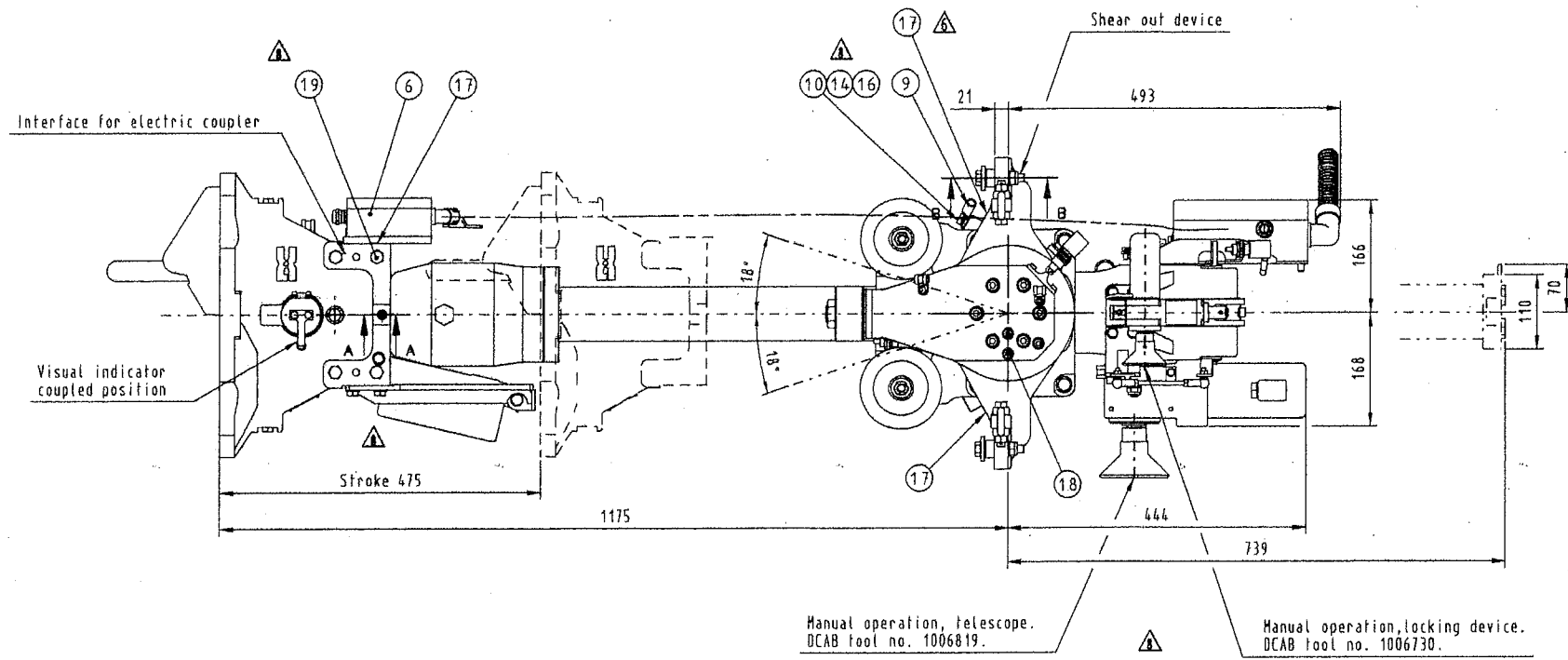
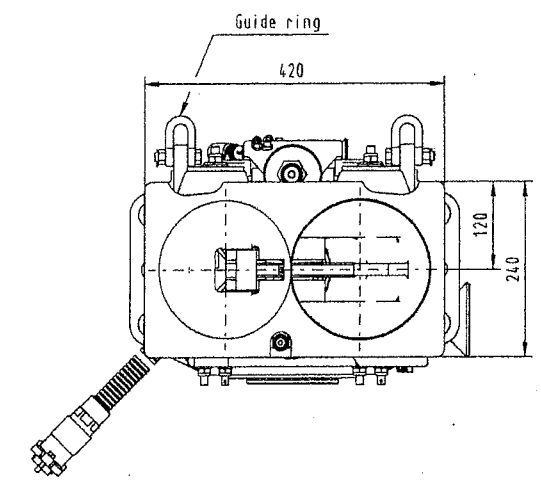
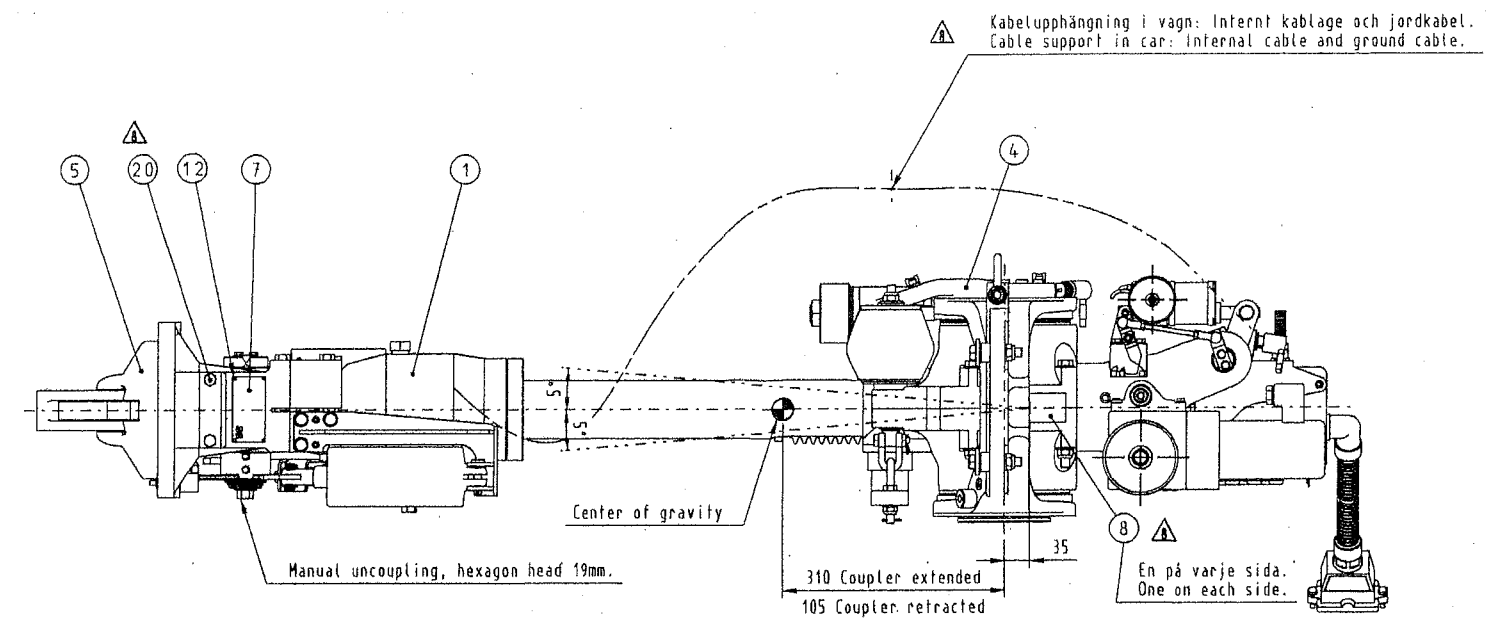
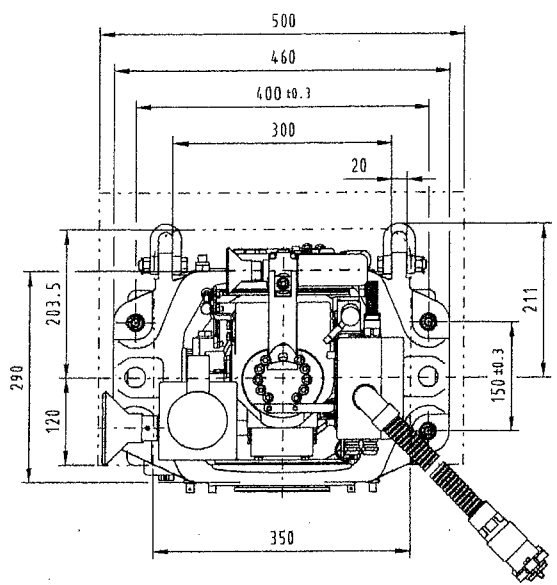


Ändring nr.	Ändring	ER nr.	Datum	Utf.	Appr.
2	Stroke was 500		020326	WJ	
3	Update		020508	FL	
4	Drawing revised		020827	MC	RB
5	Drawing revised		021015	NJa	RB
6	Draw. revised acc. to ER	14425	021106	MC	RB
7	Pos. 18 removed	15250	030120	JSa	LBA
8	Items 18-20 added	15536	030219	AS1	LBA



⚠ Målning ent. DC instr. AI 914  
 Färg: svart, RAL 9005, glans 50  
 Painting acc. to DC instr. AI 914  
 Colour: Black, RAL 9005, gloss 50

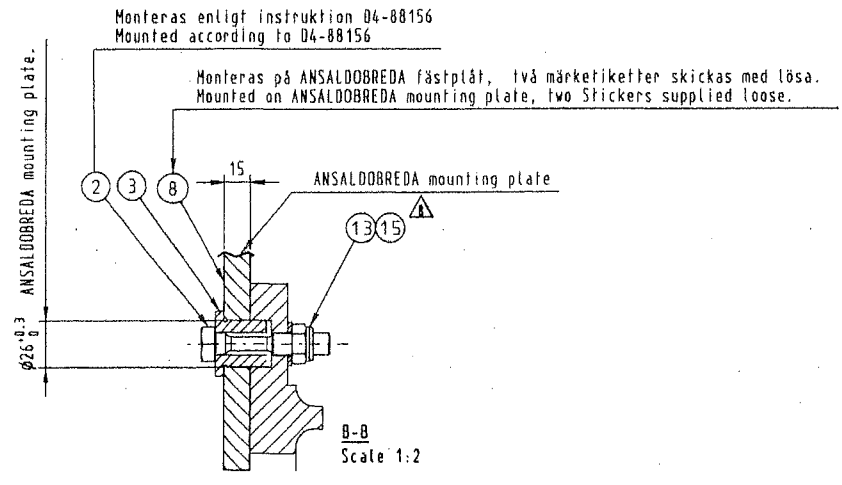
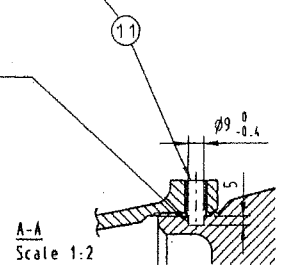
Åtdragningsmoment för fästelement, där ej annat anges, ent. DC instr. AI 907  
 Unless otherwise stated, fasteners tightness acc. to DC instr. AI 907

Montagepasta på alla fästelement  
 Antiseize grease on all fasteners

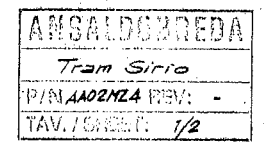
Rostskyddad efter montering.  
 Rengör med Loc-Tite 7061 och fyll därefter hålet med Loc-Tite 243.  
 Åtdragningsmoment 26Nm

Rust protected after assembly.  
 Clean with Loc-Tite 7061, then fill the hole with Loc-Tite 243.  
 Tightening torque 26Nm.

Hål samborras efter montering av buffert i koppelhus.  
 Hole pilot drilled after assembly of buffer in coupler head.



**ATTIKO METPO A.E.**  
 ΚΑΤΑΣΚΕΥΗ & ΕΚΜΕΤΑΛΛΕΥΣΗ  
 ΜΕΤΡΩ ΑΤΤΙΚΗΣ & ΘΕΣΣΑΛΟΝΙΚΗΣ  
 ΜΕΤΡΩ ΕΠΙΘΝ 191-193 - 115 25 ΑΘΗΝΑ  
 ΑΦΜ/994325955 - ΔΟΥ: Φ.Α.Ε. ΑΘΗΝΩΝ  
 ΑΡ/ΜΑΕ: 24623/01/Β/91/105 (1995)  
 ΤΗΛ: 210 6792399 - FAX: 210 6726126



Detail Number	Des. No.	Article No.	Revision	Material	Dimension
311	1003985			Steel	150
Designed	Drawn	Checked	Scale	Weight	Clamp
RB	NJa	RB	1:5	150	
Automatic Coupler Type 311					
Sirio Atene					
Date/Date: 2002-10-09					
Rev. no. 1003985					
This document is copyright legislation protected and must not, without permission from Dellner Couplers, be given or handed over to any outsider. Trespass give rise to responsibility.					