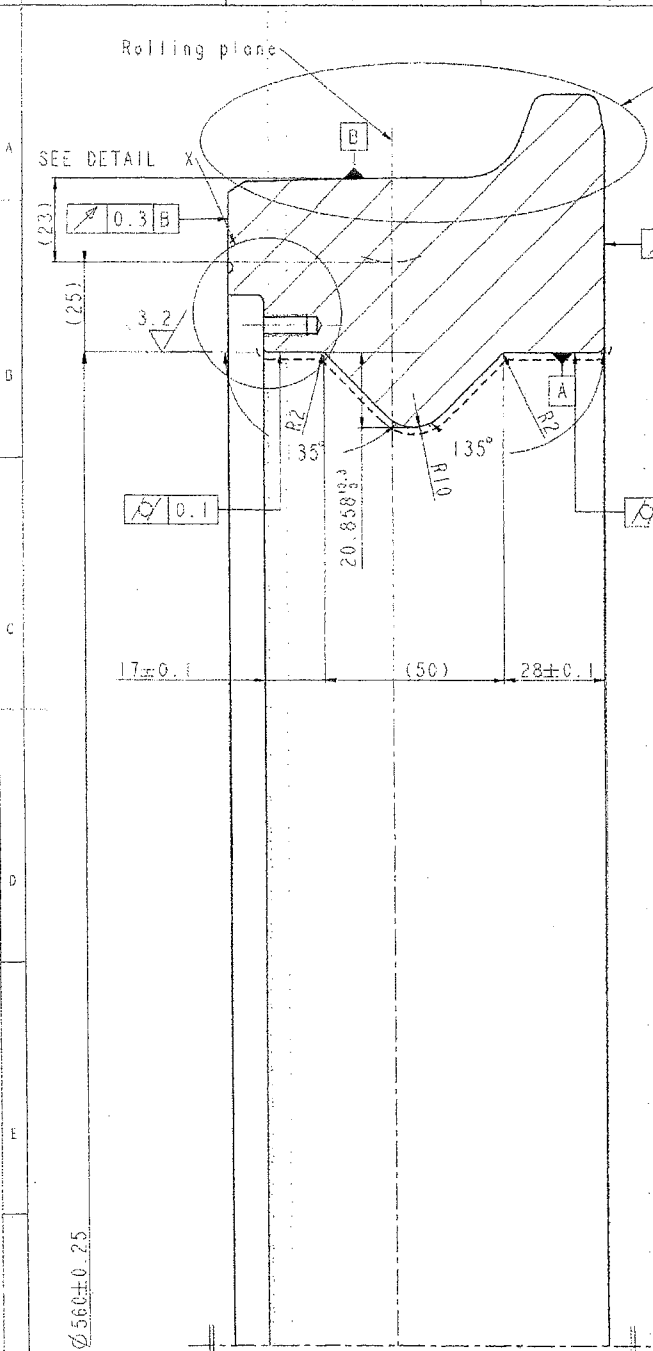
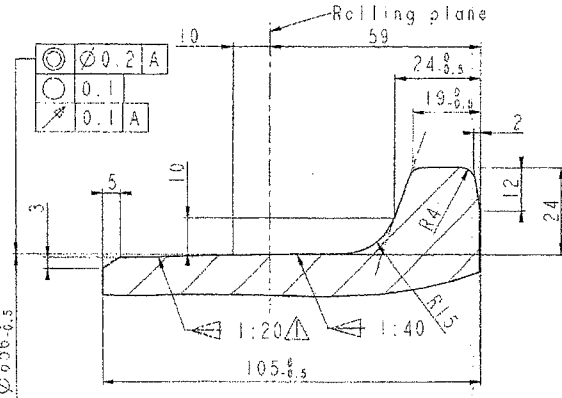


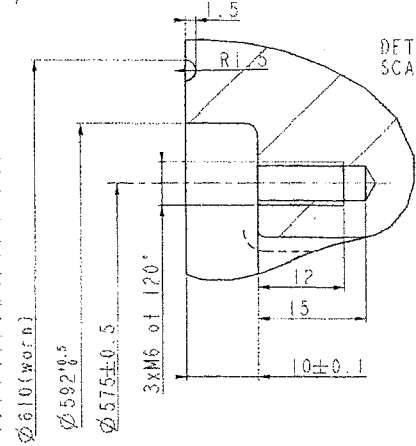
ΑΤΤΙΚΟ ΜΕΤΡΟ Α.Ε.
 ΚΑΤΑΣΚΕΥΗ & ΕΚΜΕΤΑΛΛΕΥΣΗ
 ΜΕΤΡΟ ΑΤΤΙΚΗΣ & ΘΕΣΣΑΛΟΝΙΚΗΣ
 ΜΕΣΟΓΕΙΟΝ 191-193 - 115 25 ΑΘΗΝΑ
 ΑΦΜ: 004325955 - ΔΟΥ: Φ.Α.Ε. ΑΘΗΝΩΝ
 ΑΡ.ΜΑΕ: 24623/01/Β/91/105 (1995)
 ΤΗΛ: 210 6792399 - FAX: 210 6726128



SEE DETAIL Y
 DETAIL Y
 SCALE 1:1



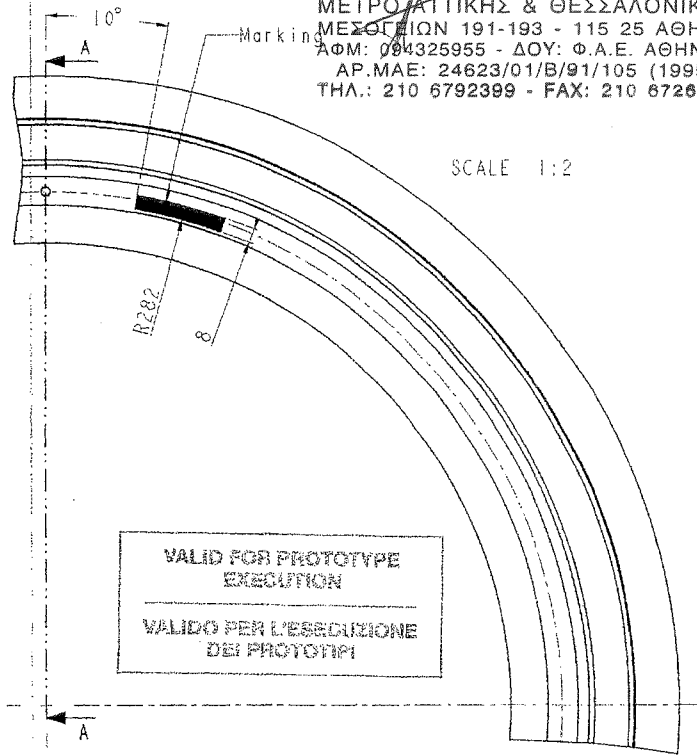
DETAIL X
 SCALE 2:1



COLD MARKING:
 - PUNCHING DEPTH 0.5mm MAX
 - CHARACTER HEIGHT 8mm

L 0000-00 00-00 B6T AB ●

- a) MANUFACTURER CODE
- b) SERIAL NUMBER
- c) PROGRESSIVE NUMBER
- d) MONTH AND LAST TWO FIGURES OF YEAR OF MANUFACTURE
- e) STEEL GRADE AND METALLURGIC SYMBOL
- f) CUSTOMER CODE
- g) CERTIFICATION STAMP



SAND BLASTING AND PAINTING/SABBIATURA E VERNICIATURA
 - Surface sand blasted after machining according to ISO 8501-1:1988 grade Sa 2 1/2, keeping Ra=3.2 and then painted with alkyd rust preventer paint RAL 7035; paint thickness 50±60 µm. / Superficie sabbata dopo lavorazione meccanica secondo ISO 8501-1:1988 grado Sa 2 1/2, mantenendo Ra=3.2 e quindi verniciata con antiruggine alchidico RAL 7035; spessore vernice 50±60 µm

* Material B6T UIC 810.1 with the following properties:
 Materiale B6T UIC 810.1 con le seguenti proprietà a trazione:
 - Tensile Strength Rm / Resistenza a trazione Rm: 950-1050 N/mm²
 - Minimum Yield Strength Re / Carico unitario di snervamento minimo Re

ANSALDOBREDA
 P/ANALIZI E REV:
 TAM. ASHEET: 1/1

Not dimensioned details / Particolari non quotati:
 Radii / Raggi R1.6
 Chamfers / Smussi 1x45°

UFFICIO PROIEZIONE
 CARRELLI 2/05/03

DESCRIZIONE DEL PRODOTTO 66L185.3		SUBSTRATO 100 1302		Scale: 1:1 (2:1, 1:2)	Weight: 90378 Kg
DATA Draw: 12.17.02 Appr: 12.12.02		SIGNED [Signature]		Material: B6T UIC 810	
TYRE CERCHIONE					
66L185.3					
LUCCHINI SIDERMECCANICA					
General position: 14.04.05 CCEK		Profile corrector: 25.12.02 CCEK		REV. 1	
REV.	MODIFICATION	DATE	NAME	REV. 2	REV. 3

SECTION A-A
 SCALE 1:1

6.3 / (3.2 /)